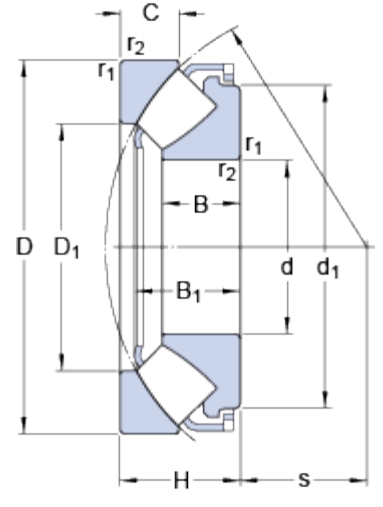


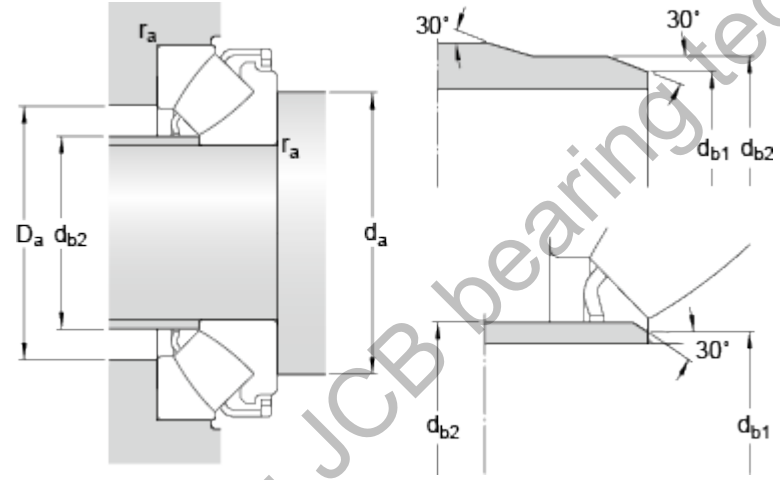
▶  
29418 E

Dimensions



d	90	mm
D	190	mm
H	60	mm
d <sub>1</sub>	≈ 164	mm
D <sub>1</sub>	≈ 128	mm
B	39	mm
B <sub>1</sub>	54	mm
C	28.5	mm
s	56	mm
r <sub>1,2</sub>	min. 2.1	mm

Abutment dimensions



d <sub>a</sub>	min. 135	mm
d <sub>b1</sub>	max. 99	mm
d <sub>b2</sub>	max. 99	mm
D <sub>a</sub>	max. 158	mm
r <sub>a</sub>	max. 2	mm

Calculation data

Basic dynamic load rating	C	815	kN
Basic static load rating	C <sub>0</sub>	2000	kN
Fatigue load limit	P <sub>u</sub>	232	kN
Reference speed		1900	r/min
Limiting speed		3400	r/min
Minimum axial load factor	A	0.38	

Mass

Mass bearing		7.75	kg
--------------	--	------	----